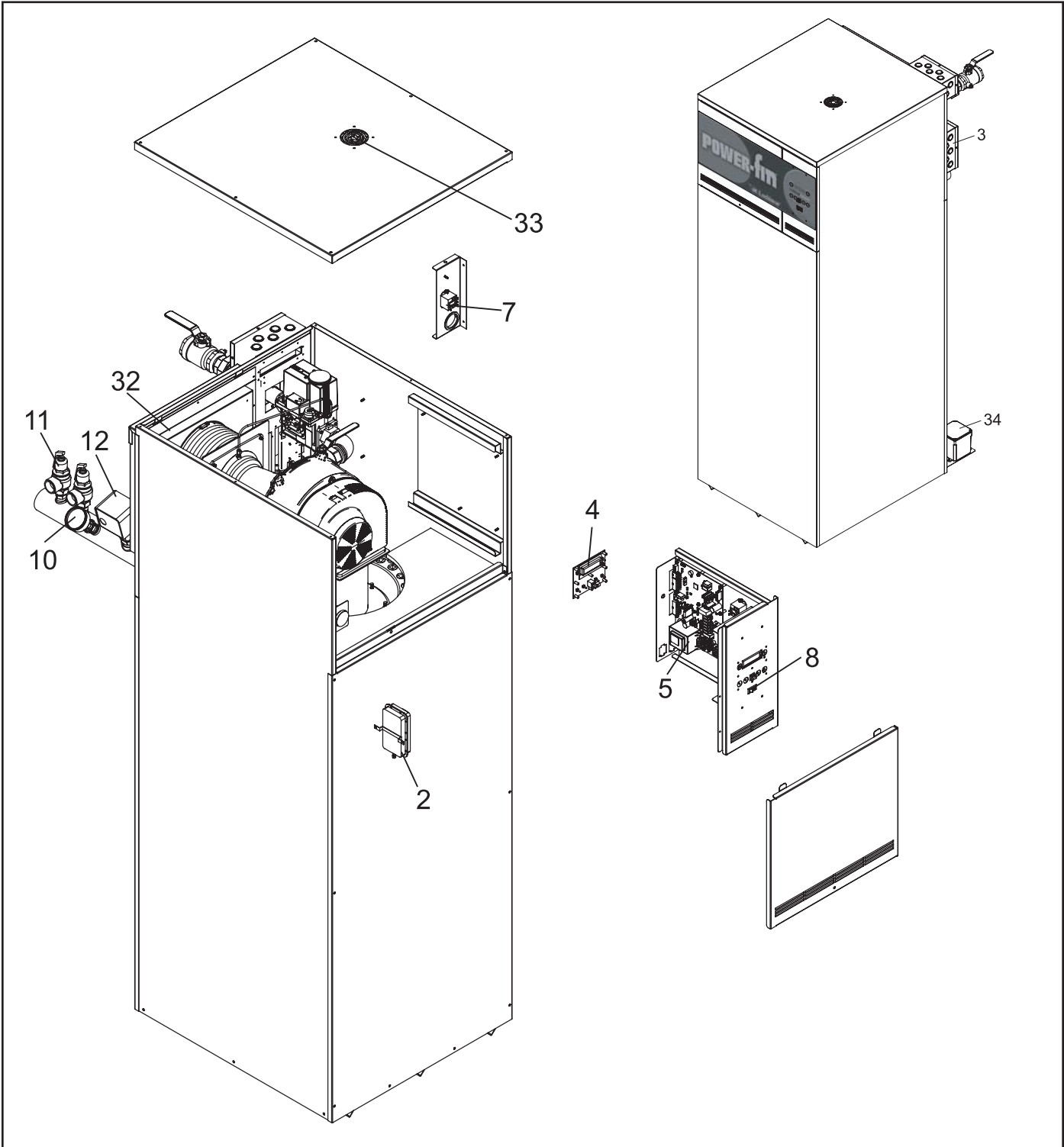




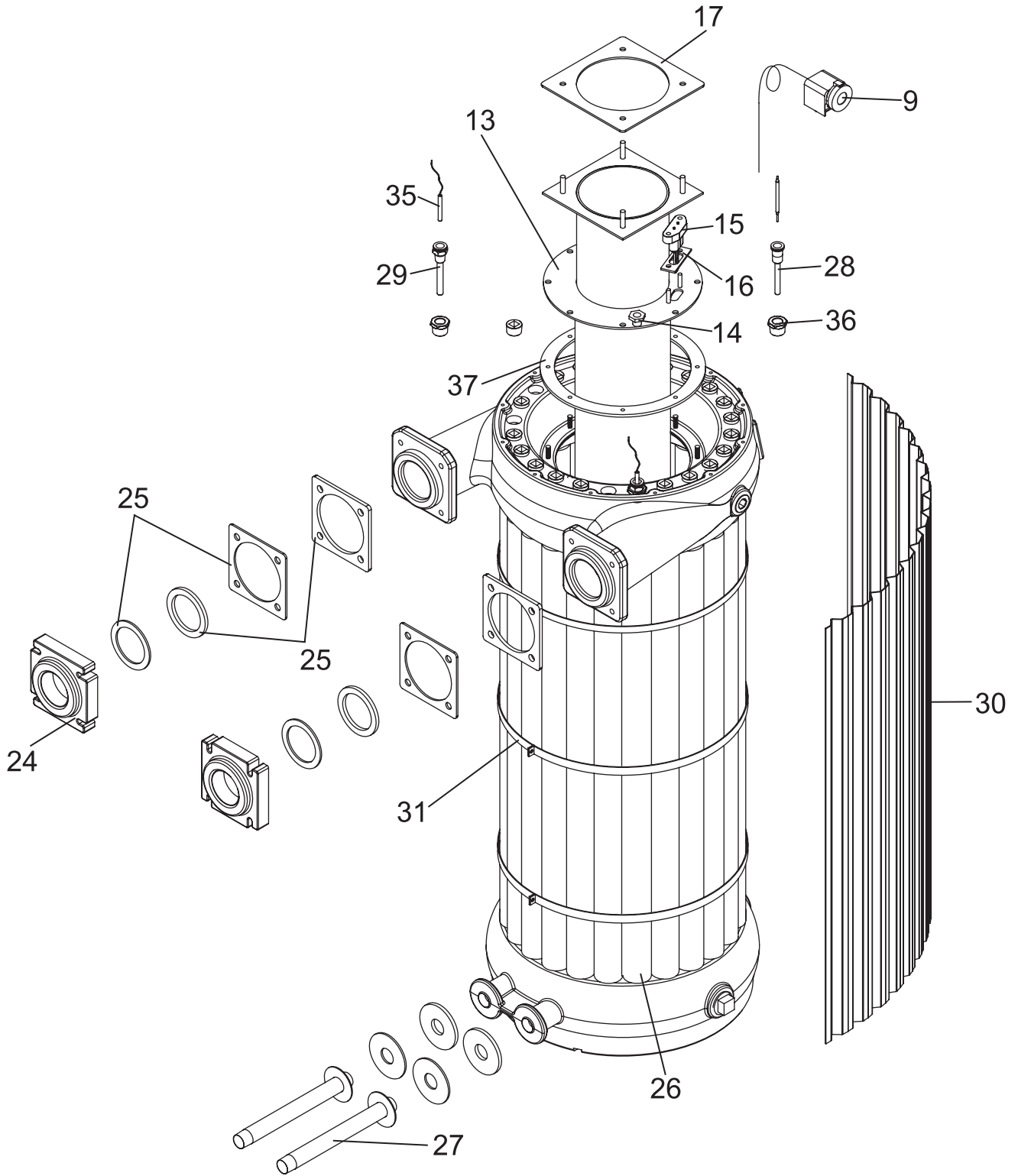
PARTS & SERVICE DEPARTMENT
Nashville, Tennessee
615-889-8900 • Fax: 615-547-1000
www.Lochinvar.com

Replacement Parts List

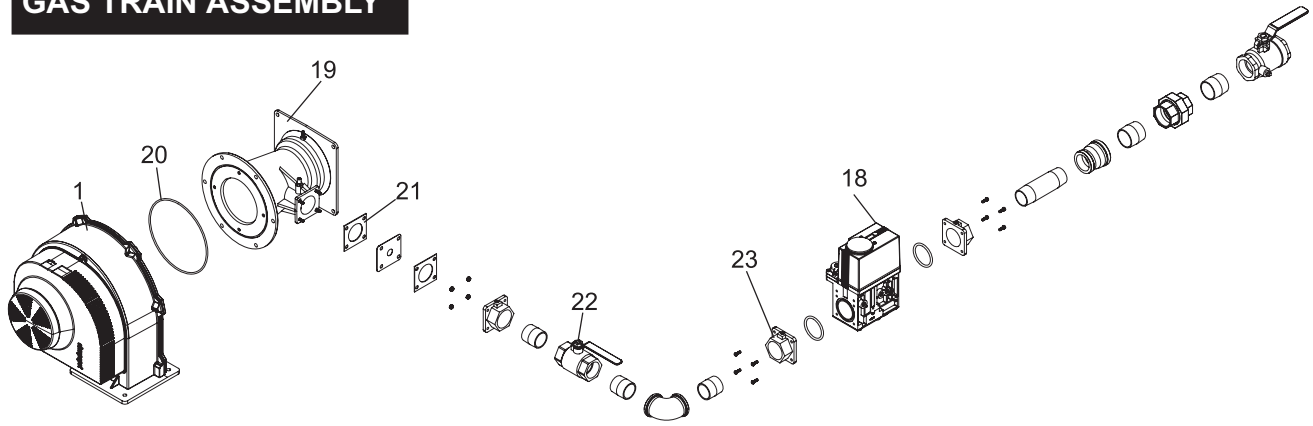
Power-Fin® Heating Boilers & Hot Water Supply Boilers PB/PF 1501, 1701, 2001



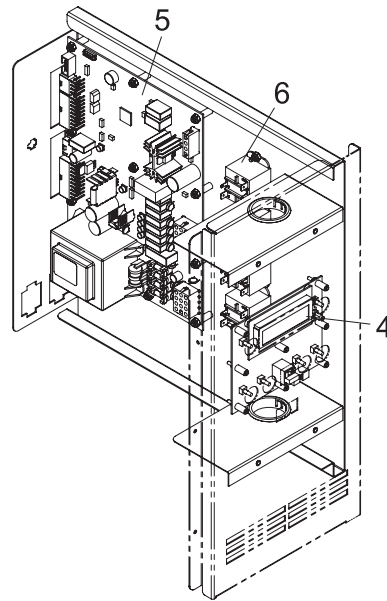
HEAT EXCHANGER ASSEMBLY



GAS TRAIN ASSEMBLY



CONTROL PANEL



ITEM NO.	PART NO.	DESCRIPTION	MODEL NO.
CONTROLS			
1	FAN3719	FAN REPLACEMENT ASSEMBLY	PB/PF1501-2001
2	PRS2016	SWITCH, PRESSURE	PB/PF1501-2001-M9
2	PRS2050	SWITCH, PRESSURE	PB/PF1501/2001-B9
2	PRS2051	SWITCH, PRESSURE	PB/PF1701-B9
3	RLY2114	CONNECTION BOARD	ALL
4	RLY2210	BOARD, CONTROL, USER INTERFACE	ALL
5	RLY2100	BOARD, CONTROL, MAIN	ALL
6	RLY2706	RELAY, PUMP	ALL
7	RLY2105	RELAY, 24VAC COIL	ALL
8	SWT2006	SWITCH, ON, OFF	ALL
9	HLC2702	HI LIMIT W/MANUAL RESET	ALL PB
9	HLC2701	HI LIMIT AUTO RESET	ALL PF
10	GTP2900	GAUGE, TEMP AND PRESSURE	ALL PB
11	RLV2003	VALVE, PRESSURE RELIEF, 1", 50#	PB1501/1701
11	RLV2001	VALVE, PRESS RELIEF, 3/4", 50#	PB2001
11	RLV2016	VALVE, RELIEF 1" 150# T&P	All PF
12	WTR2140	SWITCH, FLOW	ALL

PLEASE HAVE MODEL NUMBER AND SERIAL NUMBER WHEN ORDERING PARTS.

ITEM NO.	PART NO.	DESCRIPTION	MODEL NO.
GAS TRAIN ASSEMBLIES			
13	BNR3717	MAIN BURNER ASSEMBLY	PF/PB1501
13	BNR3718	MAIN BURNER ASSEMBLY	PF/PB1701
13	BNR3719	MAIN BURNER ASSEMBLY	PF/PB2001
14	MSC2731	SIGHT GLASS, 1/2"	ALL
15	PLT3400	IGNITOR, HOT SURFACE KIT	ALL
16	GKT2012	GASKET, IGNITER	ALL
17	GKT2058	GASKET, BURNER,FAN	ALL
37	GKT2056	GASKET, BURNER	ALL
18	VAL3414	KIT, GAS VALVE	PF/PB1501
18	VAL3415	KIT, GAS VALVE	PF/PB1701
18	VAL3416	KIT, GAS VALVE	PF/PB2001
19	VAL2160	VALVE,VENTURI	PF/PB1501-1701
19	VAL2127	VALVE,VENTURI	PF/PB2001
20	GKT2057	GASKET FAN,VENTURI	ALL
21	GKT2050	GASKET,GAS TRAIN	ALL
22	VAL2951	VALVE.BALL,REFERENCE 1.5"	ALL
23	TFL2088	FLANGE,GAS 1-1/4" NPT	ALL
HEAT EXCHANGERS			
24	WTR4708	FLANGE	ALL
25	GKT2006	GASKET, TOP HEADER FLANGE 1/4"	ALL
26	GKT2019	GASKET, TOP HEADER FLANGE 1/8"	ALL
26	HEX3060	HEAT EXCHANGER (HLW)	PF1501
26	HEX3061	HEAT EXCHANGER (HLW)	PF1701
26	HEX3062	HEAT EXCHANGER (HLW)	PF2001
26	HEX3068	HEAT EXCHANGER (H)	PB1501
26	HEX3069	HEAT EXCHANGER (H)	PB1701
26	HEX3070	HEAT EXCHANGER (H)	PB2001
27	DRV3801	DRAIN VALVE KIT	ALL
MISCELLANEOUS			
28	TST2300	BULBWELL, EMMEN CONTROL	ALL
29	TST2306	BULBWELL, HIGH LIMIT	ALL
30	JKH2012	V-BAFFLE, HEAT EXCHANGER (24)	PF/PB1501
30	JKH2013	V-BAFFLE, HEAT EXCHANGER (24)	PF/PB1701
30	JKH2014	V-BAFFLE, HEAT EXCHANGER	PF/PB2001
31	JKH6828	RETAINER ,V-BAFFLE	ALL
32	FIL2000	FILTER,AIR, HEAVY DUTY	ALL
33	FAN2027	FAN,VENTILATION	ALL
34	MSC2975	CONDENSATE TRAP	ALL
35	TST2032	THERMISTOR SENSOR	ALL
36	BRS2404	3/4X3/8 BRASS BUSHING	ALL
-	TST2053	FLUE SENSOR	ALL
-	MSC2933	ALUMINUM TUBING (Order by the foot)	ALL
-	TUB8000	TUBING, EPDM 3/8" (Order by the foot)	ALL
INSULATION			
-	FIB2119	INSULATION, SIDES	PF/PB1501
-	FIB2120	INSULATION, SIDES	PF/PB1701
-	FIB2121	INSULATION, SIDES	PF/PB2001
-	FIB2269	INSULATION, BACK	PF/PB1501
-	FIB2270	INSULATION, BACK	PF/PB1701
-	FIB2271	INSULATION, BACK	PF/PB2001
-	FIB2106	INSULATION, FRONT	PF/PB1501
-	FIB2107	INSULATION, FRONT	PF/PB1701
-	FIB2108	INSULATION, FRONT	PF/PB2001
-	FIB2109	INSULATION, FRONT DOOR	PF/PB1501
-	FIB2110	INSULATION, FRONT DOOR	PF/PB1701
-	FIB2111	INSULATION, FRONT DOOR	PF/PB2001

PLEASE HAVE MODEL NUMBER AND SERIAL NUMBER WHEN ORDERING PARTS.